

CF FLANGES & FITTINGS



CF FLANGE & TUBE

Knife edge flanges (CF flanges) are available in sizes from 1.33" to 16.5" with fixed and rotary options.

CF flanges have the highest level of processing quality and clean packaging that meets ultra-high vacuum. We provide SUS304/L, 316LN and other stainless steel materials.

The CF flange adopts OFHC (Oxygen-Free High Conductivity) copper material, referred to as oxygen-free copper gasket, which is effectively combined with the CF flange for sealing, and the minimum pressure reaches 1×10^{-10} Torr.

Another advantage of oxygen-free copper gaskets is that they can be used in an environment of 450 degrees Celsius. However, oxygen-free copper gaskets are not recommended for reuse.

In the conversion of UHV (Ultra High Vacuum) and HV (High Vacuum) environments, we also provide a complete range of conversion flanges and joints, please also refer to the adapter series.

SPECIFICATION

APPLICATION: VACUUM

MATERIAL: 304/L; 316LN

Flange size range: CF 1.33"-16.5"

Standard pipe diameter size range: 1/2"-6"
(Pipe fittings above 8" are customized)

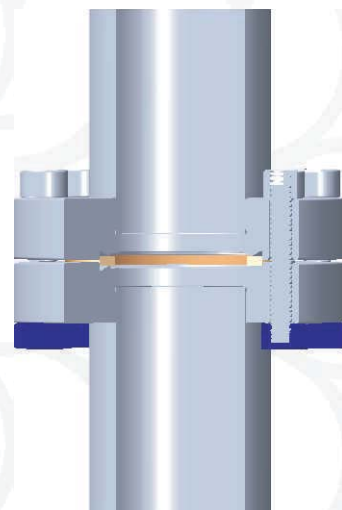
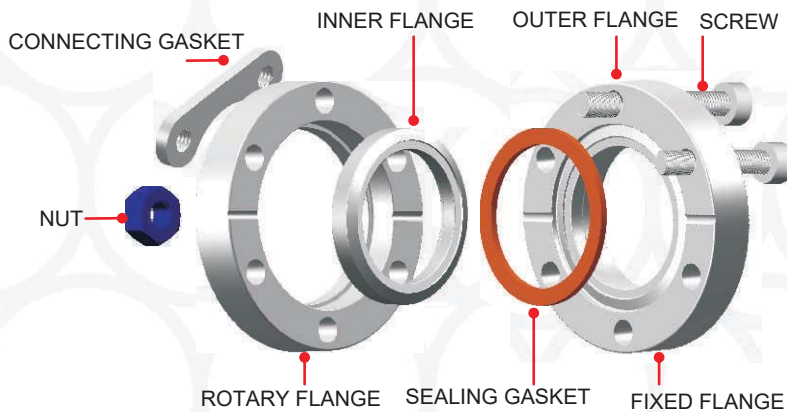
Pressure range:

760 Torr $\sim 1 \times 10^{-10}$ Torr- 304/L

760 Torr $\sim 1 \times 10^{-13}$ Torr-316LN ESR

Gasket material: OFHC oxygen-free copper
or silver plated

Temperature range: Celsius -190 degrees to
Celsius 450 degrees



ROTARY FLANGE: recommended to be used in multi-part assembly and has directionality (such as elbows and tee fittings)

FIXED FLANGE - mostly used for combined parts without orientation problems.

CF

CF法兰与管件

提供刀口法兰(CF法兰)尺寸由1.33"到16.5"并有固定式与旋转式的选项。

CF法兰具有最高等级加工质量与符合超高真空的清洁包装，我们提供SUS304/L，316LN等不锈钢材质。

CF法兰采用OFHC (无氧高传导) 铜材，简称无氧铜垫片，有效的与CF法兰做密封的结合，最低压力达到 1×10^{-11} Torr。

无氧铜垫片的另外一个优势是可以适用于摄氏450度的环境。然而无氧铜垫片不建议重复使用。

在转换UHV(超高真空)与HV(高真空)的环境中，我们也提供整系列的转换法兰与接头类产品，也请参照转接头系列。

标准规格

应用：超高真空

材质：304/L，316LN

法兰尺寸范围：CF1.33"~16.5"

标准管件径尺寸范围：1/2"~6"

(8"以上的管件为客制化)

压力范围：760 Torr ~ 1×10^{-10} Torr- 304/L

760 Torr ~ 1×10^{-13} Torr-316LN ESR

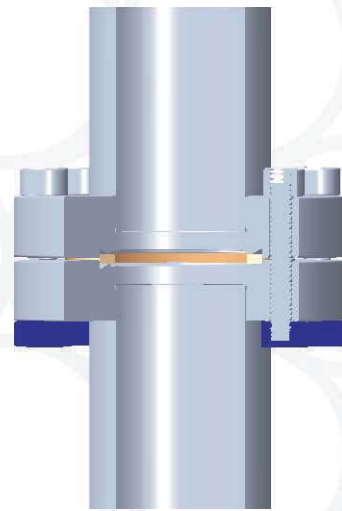
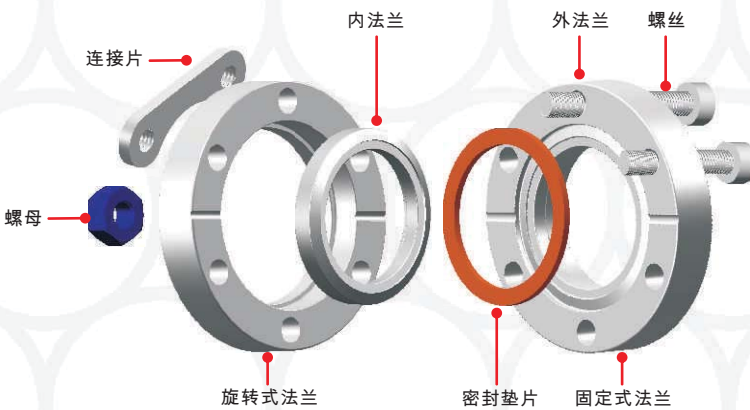
密封垫片材质：OFHC无氧铜或表面镀银

温度范围：摄氏-190度~450度

清洁与包装

产品所有的焊接点100%的测漏检验，产品清洗经过超音波清洗设备清洗，水质使用合乎半导体要求去离子水。

包装环境于高洁净环境做整体产品的组合与包装，确保产品的洁净度。



旋转式法兰-建议采用于多件零件组装，并且有方向性(如弯头与三通管件产品)。

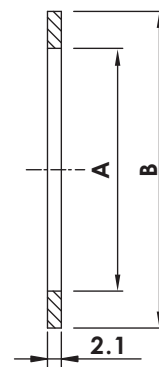
固定式法兰-多用于组合零件无方向性问题。

CF

CF Flanges & Fittings

OFHC 无氧铜垫片 OFHC COPPER SEALS

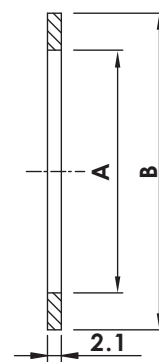
表面：原铜色，蚀刻清洁 Surface: Original copper color, etch clean



Catalogue PN	Flange Size	A	B
CF-CS-133	CF1.33"/CF16	16.20	21.25
CF-CS-212	CF2.12"/CF25	25.65	32.77
CF-CS-275	CF2.75"/CF35	36.80	48.10
CF-CS-275-1	CF2.75"/CF40	39.00	48.10
CF-CS-338	CF3.38"/CF50	51.05	61.60
CF-CS-450	CF4.50"/CF63	63.60	82.35
CF-CS-462	CF4.62"/CF80	76.45	91.39
CF-CS-600	CF6.00"/CF100	101.80	120.45
CF-CS-675	CF6.75"/CF130	127.25	141.40
CF-CS-800	CF8.00"/CF160	152.60	171.25
CF-CS-1000	CF10.00"/CF200	203.40	222.05
CF-CS-1200	CF12.00"/CF250	254.20	272.85
CF-CS-1325	CF13.25"/CF270	274.00	294.34
CF-CS-1400	CF14.00"/CF300	300.00	313.00
CF-CS-1650	CF16.50"/CF350	356.50	376.60

OFHC 无氧铜垫片 OFHC COPPER SEALS

表面：镀银表面 Surface: Silver finish



Catalogue PN	Flange Size	A	B
CF-CS-133-S	CF1.33"/CF16	16.20	21.25
CF-CS-212-S	CF2.12"/CF25	25.65	32.77
CF-CS-275-S	CF2.75"/CF35	36.80	48.10
CF-CS-275-1-S	CF2.75"/CF40	39.00	48.10
CF-CS-338-S	CF3.38"/CF50	51.05	61.60
CF-CS-450-S	CF4.50"/CF63	63.60	82.35
CF-CS-462-S	CF4.62"/CF80	76.45	91.39
CF-CS-600-S	CF6.00"/CF100	101.80	120.45
CF-CS-675-S	CF6.75"/CF130	127.25	141.40
CF-CS-800-S	CF8.00"/CF160	152.60	171.25
CF-CS-1000-S	CF10.00"/CF200	203.40	222.05
CF-CS-1200-S	CF12.00"/CF250	254.20	272.85
CF-CS-1325-S	CF13.25"/CF270	274.00	294.34
CF-CS-1400-S	CF14.00"/CF300	300.00	313.00
CF-CS-1650-S	CF16.50"/CF350	356.50	376.60

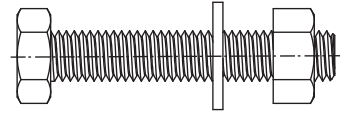
CF Flanges & Fittings

外六角螺丝组-公制牙

HEX HEAD BOLTS - METRIC THREAD

材质：不锈钢 Material: Stainless Steel

组合内容：螺丝，螺母，垫片 Combined content: screw, nut, gasket



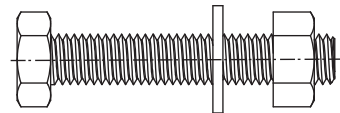
Catalogue PN	Flange Size	Thread	No. of Sets
CF-HB-133M	CF1.33"	M4xP0.70	25
CF-HB-212M	CF2.12"	M6xP1.00	25
CF-HB-275M	CF2.75"	M6xP1.00	25
CF-HB-338M	CF3.38"	M8xP1.25	25
CF-HB-450M	CF4.50"	M8xP1.25	25
CF-HB-600M	CF6.00"	M8xP1.25	25
CF-HB-800M	CF8.00"	M8xP1.25	25
CF-HB-1000M	CF10.0"	M8xP1.25	25

外六角螺丝组-英制牙

HEX HEAD BOLTS - INCH THREAD

材质：不锈钢 Material: Stainless Steel

组合内容：螺丝，螺母，垫片 Combined content: screw, nut, gasket



Catalogue PN	Flange Size	Thread	No. of Sets
CF-HB-133	CF1.33"	8-32 UNC	25
CF-HB-212	CF2.12"	1/4"-28UNF	25
CF-HB-275	CF2.75"	1/4"-28UNF	25
CF-HB-338	CF3.38"	5/16"-24UNF	25
CF-HB-450	CF4.50"	5/16"-24UNF	25
CF-HB-600	CF6.00"	5/16"-24UNF	25
CF-HB-800	CF8.00"	5/16"-24UNF	25
CF-HB-1000	CF10.0"	5/16"-24UNF	25

CF

CF Flanges & Fittings

连接片-公制牙

PLATE NUTS - METRIC THREAD

材质：不锈钢 Material:Stainless Steel



Catalogue PN	Flange Size	Diagram	A	B	C	D	E	ØF
CF-PN-133M	CF1.33"	A	20.30	7.62	13.46	3.20	5.35	M4xP0.7
CF-PN-275M	CF2.75"	A	41.16	12.70	29.46	5.10	6.10	M6xP1.0
CF-PN-338M	CF3.38"	B	44.45	12.70	27.69	5.30	-	M8xP1.25
CF-PN-450M	CF4.50"	B	51.56	12.70	35.30	5.30	-	M8xP1.25
CF-PN-462M	CF4.62"	B	45.80	12.70	31.60	5.30	-	M8xP1.25
CF-PN-600M	CF6.00"	B	41.65	12.70	25.40	5.30	-	M8xP1.25
CF-PN-800M	CF8.00"	B	44.45	12.70	28.45	5.30	-	M8xP1.25
CF-PN-1000M	CF10.00"	B	44.45	12.70	30.23	5.30	-	M8xP1.25

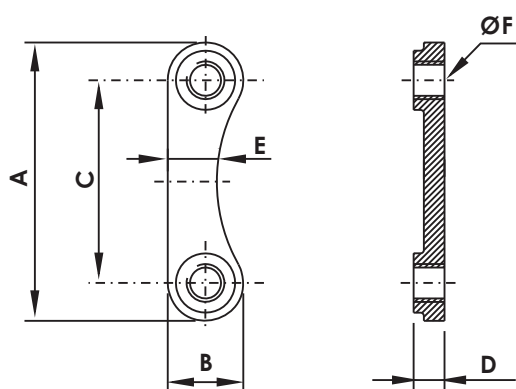


Diagram A

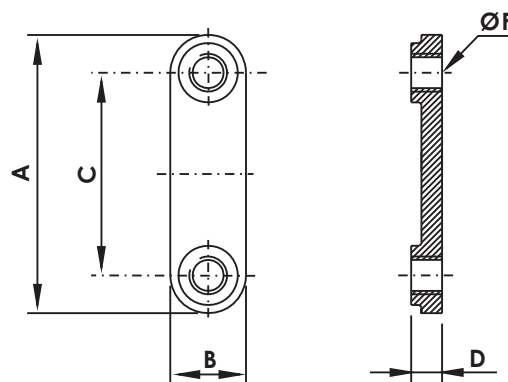


Diagram B

CF Flanges & Fittings

连接片-英制牙

PLATE NUTS - INCH THREAD

材质：不锈钢 Material: Stainless Steel



Catalogue PN	Flange Size	Diagram	A	B	C	D	E	ØF
CF-PN-133	CF1.33"	A	20.30	7.62	13.46	3.20	5.35	#8-32
CF-PN-275	CF2.75"	A	42.16	12.70	29.46	5.10	6.10	1/4-28
CF-PN-338	CF3.38"	B	44.45	12.70	27.69	5.30	-	5/16-24
CF-PN-450	CF4.50"	B	51.56	12.70	35.30	5.30	-	5/16-24
CF-PN-462	CF4.62"	B	45.80	12.70	31.60	5.30	-	5/16-24
CF-PN-600	CF6.00"	B	41.65	12.70	25.40	5.30	-	5/16-24
CF-PN-800	CF8.00"	B	44.45	12.70	28.45	5.30	-	5/16-24
CF-PN-1000	CF10.00"	B	44.45	12.70	30.23	5.30	-	5/16-24

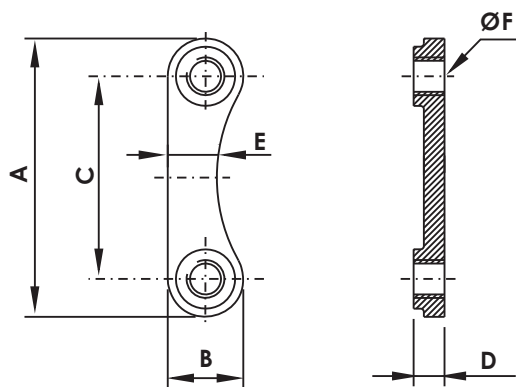


Diagram A

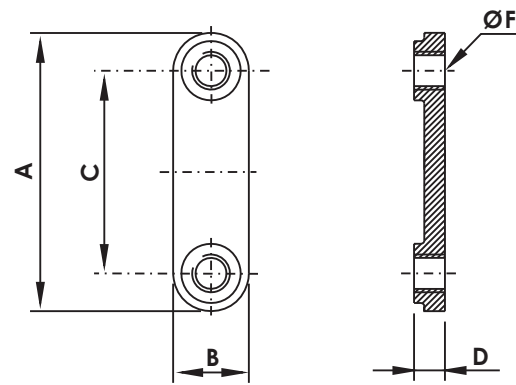


Diagram B

CF

CF Flanges & Fittings

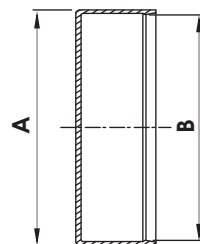
CF 法兰保护盖

CF FLANGE PLASTIC CAP

材质 : PE Material: PE

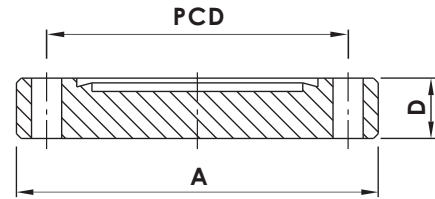


Catalogue PN	Size	A	B
CF-PC-133	CF1.33"	36.20	34.20
CF-PC-212	CF2.12"	56.40	54.00
CF-PC-275	CF2.75"	72.10	70.10
CF-PC-338	CF3.38"	88.50	85.90
CF-PC-450	CF4.50"	118.30	113.50
CF-PC-462	CF4.62"	120.50	117.60
CF-PC-600	CF6.00"	156.40	151.60
CF-PC-675	CF6.75"	173.80	171.60
CF-PC-800	CF8.00"	206.00	202.00
CF-PC-1000	CF10.0"	258.00	254.00
CF-PC-1200	CF12.0"	309.00	304.60
CF-PC-1325	CF13.25"	341.10	336.70
CF-PC-1400	CF14.0"	360.10	355.70



CF

CF Flanges & Fittings



CF 盲法兰-固定式 CF BLANKER

材质：304/L Material:304/L

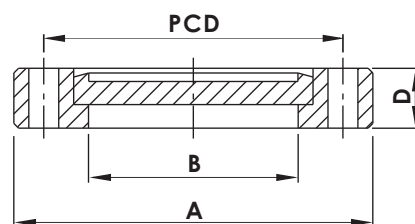
提供攻牙孔与钻孔规格 Offer Tapping hole and drilling holes specifications

Catalogue PN	Type	Flange Size	A (mm)	D (mm)	PCD (mm)	Bolt Holes	Diameter / Thread (mm)
CF-BL-133	Thru Holes	CF1.33"/CF16	33.70	7.60	26.97	6	4.37
CF-BL-133T	Tapped	CF1.33"/CF16	33.70	7.60	26.97	6	8-32
CF-BL-133TM	Tapped(M)	CF1.33"/CF16	33.70	7.60	26.97	6	M4
CF-BL-212	Thru Holes	CF2.12"/CF25	53.80	11.90	41.28	4	6.73
CF-BL-212T	Tapped	CF2.12"/CF25	53.80	11.90	41.28	4	1/4-28
CF-BL-212TM	Tapped(M)	CF2.12"/CF25	53.80	11.90	41.28	4	M6
CF-BL-275	Thru Holes	CF2.75"/CF35	69.30	12.70	58.72	6	6.73
CF-BL-275T	Tapped	CF2.75"/CF35	69.30	12.70	58.72	6	1/4-28
CF-BL-275TM	Tapped(M)	CF2.75"/CF35	69.30	12.70	58.72	6	M6
CF-BL-338	Thru Holes	CF3.38"/CF50	85.30	16.00	72.39	8	8.43
CF-BL-338T	Tapped	CF3.38"/CF50	85.30	16.00	72.39	8	5/16-24
CF-BL-338TM	Tapped(M)	CF3.38"/CF50	85.30	16.00	72.39	8	M8
CF-BL-450	Thru Holes	CF4.50"/CF63	113.50	17.30	92.15	8	8.43
CF-BL-450T	Tapped	CF4.50"/CF63	113.50	17.30	92.15	8	5/16-24
CF-BL-450TM	Tapped(M)	CF4.50"/CF63	113.50	17.30	92.15	8	M8
CF-BL-462	Thru Holes	CF4.62"/CF80	117.00	19.10	102.36	10	8.43
CF-BL-462T	Tapped	CF4.62"/CF80	117.00	19.10	102.36	10	5/16-24
CF-BL-462TM	Tapped(M)	CF4.62"/CF80	117.00	19.10	102.36	10	M8
CF-BL-600	Thru Holes	CF6.00"/CF100	151.60	19.80	130.25	16	8.43
CF-BL-600T	Tapped	CF6.00"/CF100	151.60	19.80	130.25	16	5/16-24
CF-BL-600TM	Tapped(M)	CF6.00"/CF100	151.60	19.80	130.25	16	M8
CF-BL-675	Thru Holes	CF6.75"/CF130	170.69	21.30	151.61	18	8.43
CF-BL-675T	Tapped	CF6.75"/CF130	170.69	21.30	151.61	18	5/16-24
CF-BL-675TM	Tapped(M)	CF6.75"/CF130	170.69	21.30	151.61	18	M8
CF-BL-800	Thru Holes	CF8.00"/CF160	202.44	22.35	181.05	20	8.43
CF-BL-800T	Tapped	CF8.00"/CF160	202.44	22.35	181.05	20	5/16-24
CF-BL-800TM	Tapped(M)	CF8.00"/CF160	202.44	22.35	181.05	20	M8
CF-BL-1000	Thru Holes	CF10.00"/CF200	253.24	24.60	231.85	24	8.43
CF-BL-1000T	Tapped	CF10.00"/CF200	253.24	24.60	231.85	24	5/16-24
CF-BL-1000TM	Tapped(M)	CF10.00"/CF200	253.24	24.60	231.85	24	M8
CF-BL-1200	Thru Holes	CF12.00"/CF250	304.40	25.90	283.97	32	8.43
CF-BL-1200T	Tapped	CF12.00"/CF250	304.40	25.90	283.97	32	5/16-24
CF-BL-1200TM	Tapped(M)	CF12.00"/CF250	304.40	25.90	283.97	32	M8
CF-BL-1325	Thru Holes	CF13.25"/CF270	335.79	28.45	306.32	30	10.49
CF-BL-1325T	Tapped	CF13.25"/CF270	335.79	28.45	306.32	30	3/8-24
CF-BL-1325TM	Tapped(M)	CF13.25"/CF270	335.79	28.45	306.32	30	M10
CF-BL-1400	Thru Holes	CF14.00"/CF300	354.84	28.45	325.37	30	10.49
CF-BL-1400T	Tapped	CF14.00"/CF300	354.84	28.45	325.37	30	3/8-24
CF-BL-1400TM	Tapped(M)	CF14.00"/CF300	354.84	28.45	325.37	30	M10
CF-BL-1650	Thru Holes	CF16.50"/CF350	418.34	28.45	388.87	36	10.49
CF-BL-1650T	Tapped	CF16.50"/CF350	418.34	28.45	388.87	36	3/8-24
CF-BL-1650TM	Tapped(M)	CF16.50"/CF350	418.34	28.45	388.87	36	M10

*NOTE: 316LN MATERIAL AVAILABLE ON REQUEST.

CF

CF Flanges & Fittings



CF 盲法兰-旋转式 CF BLANKER, ROTATABLE

材质：304/L Material:304/L

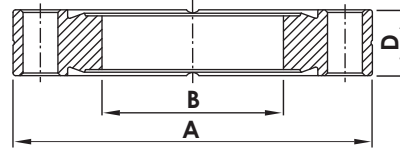
提供攻牙孔与钻孔规格 Offer Tapping holes and drilling holes specifications

CF

Catalogue PN	Type	Flange	A (mm)	B (mm)	D (mm)	PCD (mm)	Bolt Holes	Diameter / Thread (mm)
CF-BL-133R	Thru Holes	CF1.33"/CF16	33.70	19.41	7.60	26.97	6	4.37
CF-BL-133RT	Tapped	CF1.33"/CF16	33.70	19.41	7.60	26.97	6	8-32
CF-BL-133RTM	Tapped(M)	CF1.33"/CF16	33.70	19.41	7.60	26.97	6	M4
CF-BL-212R	Thru Holes	CF2.12"/CF25	53.80	27.94	11.90	41.28	4	6.73
CF-BL-212RT	Tapped	CF2.12"/CF25	53.80	27.94	11.90	41.28	4	1/4-28
CF-BL-212RTM	Tapped(M)	CF2.12"/CF25	53.80	27.94	11.90	41.28	4	M6
CF-BL-275R	Thru Holes	CF2.75"/CF35	69.30	48.31	12.70	58.72	6	6.73
CF-BL-275RT	Tapped	CF2.75"/CF35	69.30	48.31	12.70	58.72	6	1/4-28
CF-BL-275RTM	Tapped(M)	CF2.75"/CF35	69.30	48.31	12.70	58.72	6	M6
CF-BL-338R	Thru Holes	CF3.38"/CF50	85.30	54.50	17.40	72.39	8	8.43
CF-BL-338RT	Tapped	CF3.38"/CF50	85.30	54.50	17.40	72.39	8	5/16-24
CF-BL-338RTM	Tapped(M)	CF3.38"/CF50	85.30	54.50	17.40	72.39	8	M8
CF-BL-450R	Thru Holes	CF4.50"/CF63	113.50	72.39	19.10	92.15	8	8.43
CF-BL-450RT	Tapped	CF4.50"/CF63	113.50	72.39	19.10	92.15	8	5/16-24
CF-BL-450RTM	Tapped(M)	CF4.50"/CF63	113.50	72.39	19.10	92.15	8	M8
CF-BL-462R	Thru Holes	CF4.62"/CF80	117.00	79.71	20.60	102.36	10	8.43
CF-BL-462RT	Tapped	CF4.62"/CF80	117.00	79.71	20.60	102.36	10	5/16-24
CF-BL-462RTM	Tapped(M)	CF4.62"/CF80	117.00	79.71	20.60	102.36	10	M8
CF-BL-600R	Thru Holes	CF6.00"/CF100	151.60	106.17	21.30	130.25	16	8.43
CF-BL-600RT	Tapped	CF6.00"/CF100	151.60	106.17	21.30	130.25	16	5/16-24
CF-BL-600RTM	Tapped(M)	CF6.00"/CF100	151.60	106.17	21.30	130.25	16	M8
CF-BL-675R	Thru Holes	CF6.75"/CF130	170.69	129.50	21.30	151.61	18	8.43
CF-BL-675RT	Tapped	CF6.75"/CF130	170.69	129.50	21.30	151.61	18	5/16-24
CF-BL-675RTM	Tapped(M)	CF6.75"/CF130	170.69	129.50	21.30	151.61	18	M8
CF-BL-800R	Thru Holes	CF8.00"/CF160	202.44	155.70	23.90	181.05	20	8.43
CF-BL-800RT	Tapped	CF8.00"/CF160	202.44	155.70	23.90	181.05	20	5/16-24
CF-BL-800RTM	Tapped(M)	CF8.00"/CF160	202.44	155.70	23.90	181.05	20	M8
CF-BL-1000R	Thru Holes	CF10.00"/CF200	253.24	208.28	24.60	231.85	24	8.43
CF-BL-1000RT	Tapped	CF10.00"/CF200	253.24	208.28	24.60	231.85	24	5/16-24
CF-BL-1000RTM	Tapped(M)	CF10.00"/CF200	253.24	208.28	24.60	231.85	24	M8
CF-BL-1200R	Thru Holes	CF12.00"/CF250	304.04	256.03	25.90	283.97	32	8.43
CF-BL-1200RT	Tapped	CF12.00"/CF250	304.04	256.03	25.90	283.97	32	5/16-24
CF-BL-1200RTM	Tapped(M)	CF12.00"/CF250	304.04	256.03	25.90	283.97	32	M8
CF-BL-1325R	Thru Holes	CF13.25"/CF270	335.79	276.30	28.45	306.32	30	10.49
CF-BL-1325RT	Tapped	CF13.25"/CF270	335.79	276.30	28.45	306.32	30	3/8-24
CF-BL-1325RTM	Tapped(M)	CF13.25"/CF270	335.79	276.30	28.45	306.32	30	M10
CF-BL-1400R	Thru Holes	CF14.00"/CF300	354.84	305.82	28.45	325.37	30	10.49
CF-BL-1400RT	Tapped	CF14.00"/CF300	354.84	305.82	28.45	325.37	30	3/8-24
CF-BL-1400RTM	Tapped(M)	CF14.00"/CF300	354.84	305.82	28.45	325.37	30	M10
CF-BL-1650R	Thru Holes	CF16.50"/CF350	418.34	359.61	28.45	388.87	36	10.49
CF-BL1650RT	Tapped	CF16.50"/CF350	418.34	359.61	28.45	388.87	36	3/8-24
CF-BL1650RTM	Tapped(M)	CF16.50"/CF350	418.34	359.61	28.45	388.87	36	M10

*NOTE: 316LN MATERIAL AVAILABLE ON REQUEST.

CF Flanges & Fittings



CF 双面法兰 CF DOUBLE FACE FLANGES

材质：304/L Material:304/L

通孔规格 Thru holes specifications

Catalogue PN	Type	Flange-Tube	A (mm)	B (mm)	D (mm)	Bolt Holes	Diameter / Thread (mm)
CF-DF-133	Blank	CF1.33"	33.70	-	7.60	6	4.37
CF-DF-133x075	Bored	CF1.33" - 3/4"	33.70	15.88	7.60	6	4.37
CF-DF-212	Blank	CF2.12"	53.80	-	11.90	4	6.73
CF-DF-212x100	Bored	CF2.12" - 1.0"	53.80	25.65	11.90	4	6.73
CF-DF-275	Blank	CF2.75"	69.30	-	12.70	6	6.73
CF-DF-275x150	Bored	CF2.75" - 1.5"	69.30	38.35	12.70	6	6.73
CF-DF-338	Blank	CF3.38"	85.30	-	16.00	8	8.43
CF-DF-338x200	Bored	CF3.38" - 2.0"	85.30	51.05	16.00	8	8.43
CF-DF-450	Blank	CF4.50"	113.50	-	17.40	8	8.43
CF-DF-450x250	Bored	CF4.50" - 2.5"	113.50	63.75	17.40	8	8.43
CF-DF-462	Blank	CF4.62"	117.00	-	19.10	10	8.43
CF-DF-462x300	Bored	CF4.62" - 3.0"	117.00	79.71	19.10	10	8.43
CF-DF-600	Blank	CF6.00"	151.60	-	19.80	16	8.43
CF-DF-600x400	Bored	CF6.00" - 4.0"	151.60	101.85	19.80	16	8.43
CF-DF-675	Blank	CF6.75"	170.69	-	21.34	18	8.43
CF-DF-675x500	Bored	CF6.75" - 5.0"	170.69	127.25	21.34	18	8.43
CF-DF-800	Blank	CF8.00"	202.44	-	22.35	20	8.43
CF-DF-800x600	Bored	CF8.00" - 6.0"	202.44	152.65	22.35	20	8.43
CF-DF-1000	Blank	CF10.0"	253.24	-	24.60	24	8.43
CF-DF-1000x800	Bored	CF10.0" - 8.0"	253.24	203.45	24.60	24	8.43
CF-DF-1325	Blank	CF13.25"	335.79	-	28.45	30	10.49
CF-DF-1325x1000	Bored	CF13.25" - 10"	335.79	254.50	28.45	30	10.49

*NOTE: 316LN MATERIAL AVAILABLE ON REQUEST.

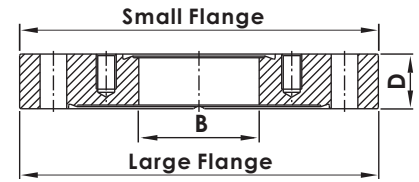
CF

CF Flanges & Fittings

CF 无直部大小头 CF ZERO LENGTH REDUCERS

材质 : 304/L Material:304/L

*NOTE: 316LN MATERIAL AVAILABLE ON REQUEST.



CF

Catalogue PN	Large Flange	Small Flange	Tube Size	B (mm)	D (mm)
CF-ZL-212x133N	CF2.12" Tapped holes	CF1.33" Tapped holes	3/4"	15.75	11.90
CF-ZL-275x133Z	CF2.75" Thru holes	CF1.33" Tapped holes	3/4"	15.75	12.70
CF-ZL-275x212N	CF2.75" Tapped holes	CF2.12" Tapped holes	1.0"	25.40	12.70
CF-ZL-338x133Z	CF3.38" Thru holes	CF1.33" Tapped holes	3/4"	15.75	16.00
CF-ZL-338x212Z	CF3.38" Thru holes	CF2.12" Tapped holes	1.0"	25.40	16.00
CF-ZL-338x275N	CF3.38" Tapped holes	CF2.75" Tapped holes	1.5"	38.10	16.00
CF-ZL-450x133Z	CF4.50" Thru holes	CF1.33" Tapped holes	3/4"	15.75	17.40
CF-ZL-450x212Z	CF4.50" Thru holes	CF2.12" Tapped holes	1.0"	25.40	17.40
CF-ZL-450x275Z	CF4.50" Thru holes	CF2.75" Tapped holes	1.5"	38.10	17.40
CF-ZL-450x338N	CF4.50" Tapped holes	CF3.38" Tapped holes	2.0"	50.80	17.40
CF-ZL-462x133Z	CF4.62" Thru holes	CF1.33" Tapped holes	3/4"	15.75	19.10
CF-ZL-462x212Z	CF4.62" Thru holes	CF2.12" Tapped holes	1.0"	25.40	19.10
CF-ZL-462x275Z	CF4.62" Thru holes	CF2.75" Tapped holes	1.5"	38.10	19.10
CF-ZL-462x338Z	CF4.62" Thru holes	CF3.38" Tapped holes	2.0"	50.80	19.10
CF-ZL-600x133Z	CF6.00" Thru holes	CF1.33" Tapped holes	3/4"	15.75	19.80
CF-ZL-600x212Z	CF6.00" Thru holes	CF2.12" Tapped holes	1.0"	25.40	19.80
CF-ZL-600x275Z	CF6.00" Thru holes	CF2.75" Tapped holes	1.5"	38.10	19.80
CF-ZL-600x338Z	CF6.00" Thru holes	CF3.38" Tapped holes	2.0"	50.80	19.80
CF-ZL-600x450Z	CF6.00" Thru holes	CF4.50" Tapped holes	2.5"	63.50	19.80
CF-ZL-600x462N	CF6.00" Tapped holes	CF4.62" Tapped holes	3.0"	76.20	19.80
CF-ZL-675x275Z	CF6.75" Thru holes	CF2.75" Tapped holes	1.5"	38.10	21.34
CF-ZL-675x450Z	CF6.75" Thru holes	CF4.50" Tapped holes	2.5"	63.50	21.34
CF-ZL-800x133Z	CF8.00" Thru holes	CF1.33" Tapped holes	3/4"	15.75	22.35
CF-ZL-800x275Z	CF8.00" Thru holes	CF2.75" Tapped holes	1.5"	38.10	22.35
CF-ZL-800x450Z	CF8.00" Thru holes	CF4.50" Tapped holes	2.5"	63.50	22.35
CF-ZL-800x600Z	CF8.00" Thru holes	CF6.00" Tapped holes	4.0"	101.60	22.35
CF-ZL-1000x133Z	CF10.00" Thru holes	CF1.33" Tapped holes	3/4"	15.75	24.60
CF-ZL-1000x275Z	CF10.00" Thru holes	CF2.75" Tapped holes	1.5"	38.10	24.60
CF-ZL-1000x450Z	CF10.00" Thru holes	CF4.50" Tapped holes	2.5"	63.50	24.60
CF-ZL-1000x600Z	CF10.00" Thru holes	CF6.00" Tapped holes	4.0"	101.60	24.60
CF-ZL-1000x800Z	CF10.00" Thru holes	CF8.00" Tapped holes	6.0"	152.40	24.60
CF-ZL-1325x133Z	CF13.25" Thru holes	CF1.33" Tapped holes	3/4"	15.75	28.45
CF-ZL-1325x275Z	CF13.25" Thru holes	CF2.75" Tapped holes	1.5"	38.10	28.45
CF-ZL-1325x450Z	CF13.25" Thru holes	CF4.50" Tapped holes	2.5"	63.50	28.45
CF-ZL-1325x600Z	CF13.25" Thru holes	CF6.00" Tapped holes	4.0"	101.60	28.45
CF-ZL-1325x800Z	CF13.25" Thru holes	CF8.00" Tapped holes	6.0"	152.40	28.45
CF-ZL-1325x1000Z	CF13.25" Thru holes	CF10.00" Tapped holes	8.0"	203.20	28.45

The last digit of part number means optional thread types shown as follows.

T: Both Small Flange and Large Flange are Metric Tapped holes.

N: Both Small Flange and Large Flange are Inch Tapped holes.

Y: Small Flange(Metric tapped holes)+Large Flange(Thru holes)

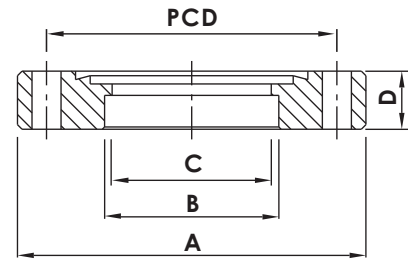
Z: Small Flange(Inch tapped holes)+Large Flange(Thru holes)

CF Flanges & Fittings

CF 通径法兰-固定式 CF BORED FLANGES

材质：304/L Material: 304/L

提供攻牙孔与钻孔规格 Offer tapping holes and drilling holes specifications

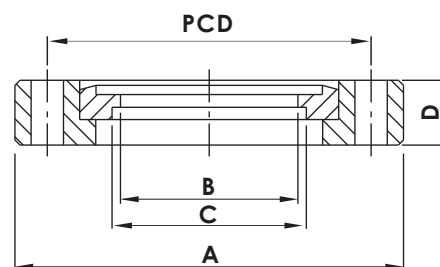


Catalogue PN	Type	Flange-Tube	A (mm)	B (mm)	C (mm)	D (mm)	PCD (mm)	Bolt Holes	Diameter / Thread (mm)
CF-BF-133x038	Thru Holes	CF1.33"-0.38"	33.70	9.65	-	7.60	26.97	6	4.37
CF-BF-133x038T	Tapped	CF1.33"-0.38"	33.70	9.65	-	7.60	26.97	6	8-32
CF-BF-133x038TM	Tapped(M)	CF1.33"-0.38"	33.70	9.65	-	7.60	26.97	6	M4
CF-BF-133x050	Thru Holes	CF1.33"-0.50"	33.70	12.83	-	7.60	26.97	6	4.37
CF-BF-133x050T	Tapped	CF1.33"-0.50"	33.70	12.83	-	7.60	26.97	6	8-32
CF-BF-133x050TM	Tapped(M)	CF1.33"-0.50"	33.70	12.83	-	7.60	26.97	6	M4
CF-BF-133x075	Thru Holes	CF1.33"-0.75"	33.70	19.30	16.00	7.60	26.97	6	4.37
CF-BF-133x075T	Tapped	CF1.33"-0.75"	33.70	19.30	16.00	7.60	26.97	6	8-32
CF-BF-133x075TM	Tapped(M)	CF1.33"-0.75"	33.70	19.30	16.00	7.60	26.97	6	M4
CF-BF-212x100	Thru Holes	CF2.12"-1.00"	53.80	25.65	23.90	11.90	41.28	4	6.73
CF-BF-212x100T	Tapped	CF2.12"-1.00"	53.80	25.65	23.90	11.90	41.28	4	1/4-28
CF-BF-212x100TM	Tapped(M)	CF2.12"-1.00"	53.80	25.65	23.90	11.90	41.28	4	M6
CF-BF-275x075	Thru Holes	CF2.75"-0.75"	69.30	19.30	16.00	12.70	58.72	6	6.73
CF-BF-275x075T	Tapped	CF2.75"-0.75"	69.30	19.30	16.00	12.70	58.72	6	1/4-28
CF-BF-275x075TM	Tapped(M)	CF2.75"-0.75"	69.30	19.30	16.00	12.70	58.72	6	M6
CF-BF-275x100	Thru Holes	CF2.75"-1.00"	69.30	25.65	22.10	12.70	58.72	6	6.73
CF-BF-275x100T	Tapped	CF2.75"-1.00"	69.30	25.65	22.10	12.70	58.72	6	1/4-28
CF-BF-275x100TM	Tapped(M)	CF2.75"-1.00"	69.30	25.65	22.10	12.70	58.72	6	M6
CF-BF-275x150	Thru Holes	CF2.75"-1.50"	69.30	38.35	36.60	12.70	58.72	6	6.73
CF-BF-275x150T	Tapped	CF2.75"-1.50"	69.30	38.35	36.60	12.70	58.72	6	1/4-28
CF-BF-275x150TM	Tapped(M)	CF2.75"-1.50"	69.30	38.35	36.60	12.70	58.72	6	M6
CF-BF-275x175	Thru Holes	CF2.75"-1.75"	69.30	44.70	41.20	12.70	58.72	6	6.73
CF-BF-275x175T	Tapped	CF2.75"-1.75"	69.30	44.70	41.20	12.70	58.72	6	1/4-28
CF-BF-275x175TM	Tapped(M)	CF2.75"-1.75"	69.30	44.70	41.20	12.70	58.72	6	M6
CF-BF-338x200	Thru Holes	CF3.38"-2.00"	85.30	51.05	49.30	17.40	72.39	8	8.43
CF-BF-338x200T	Tapped	CF3.38"-2.00"	85.30	51.05	49.30	17.40	72.39	8	5/16-24
CF-BF-338x200TM	Tapped(M)	CF3.38"-2.00"	85.30	51.05	49.30	17.40	72.39	8	M8
CF-BF-450x250	Thru Holes	CF4.50"-2.50"	113.50	63.75	62.00	17.40	92.15	8	8.43
CF-BF-450x250T	Tapped	CF4.50"-2.50"	113.50	63.75	62.00	17.40	92.15	8	5/16-24
CF-BF-450x250TM	Tapped(M)	CF4.50"-2.50"	113.50	63.75	62.00	17.40	92.15	8	M8
CF-BF-462x300	Thru Holes	CF4.62"-3.00"	117.00	76.45	74.70	20.60	102.36	10	8.43
CF-BF-462x300T	Tapped	CF4.62"-3.00"	117.00	76.45	74.70	20.60	102.36	10	5/16-24
CF-BF-462x300TM	Tapped(M)	CF4.62"-3.00"	117.00	76.45	74.70	20.60	102.36	10	M8
CF-BF-600x400	Thru Holes	CF6.00"-4.00"	151.60	101.85	99.60	19.80	130.25	16	8.43
CF-BF-600x400T	Tapped	CF6.00"-4.00"	151.60	101.85	99.60	19.80	130.25	16	5/16-24
CF-BF-600x400TM	Tapped(M)	CF6.00"-4.00"	151.60	101.85	99.60	19.80	130.25	16	M8
CF-BF-675x500	Thru Holes	CF6.75"-5.00"	170.69	127.25	123.83	21.34	151.61	18	8.43
CF-BF-675x500T	Tapped	CF6.75"-5.00"	170.69	127.25	123.83	21.34	151.61	18	5/16-24
CF-BF-675x500TM	Tapped(M)	CF6.75"-5.00"	170.69	127.25	123.83	21.34	151.61	18	M8
CF-BF-800x600	Thru Holes	CF8.00"-6.00"	202.44	152.91	150.40	22.35	181.05	20	8.43
CF-BF-800x600T	Tapped	CF8.00"-6.00"	202.44	152.91	150.40	22.35	181.05	20	5/16-24
CF-BF-800x600TM	Tapped(M)	CF8.00"-6.00"	202.44	152.91	150.40	22.35	181.05	20	M8
CF-BF-1000x800	Thru Holes	CF10.0"-8.00"	253.24	203.71	200.40	24.64	231.85	24	8.43
CF-BF-1000x800T	Tapped	CF10.0"-8.00"	253.24	203.71	200.40	24.64	231.85	24	5/16-24
CF-BF-1000x800TM	Tapped(M)	CF10.0"-8.00"	253.24	203.71	200.40	24.64	231.85	24	M8
CF-BF-1200x1000	Thru Holes	CF12.0"-10.0"	304.04	254.51	250.95	25.90	283.97	32	8.43
CF-BF-1200x1000T	Tapped	CF12.0"-10.0"	304.04	254.51	250.95	25.90	283.97	32	5/16-24
CF-BF-1200x1000TM	Tapped(M)	CF12.0"-10.0"	304.04	254.51	250.95	25.90	283.97	32	M8
CF-BF-1325x1000	Thru Holes	CF13.25"-10.0"	335.79	254.51	250.95	28.45	306.32	30	10.49
CF-BF-1325x1000T	Tapped	CF13.25"-10.0"	335.79	254.51	250.95	28.45	306.32	30	3/8-24
CF-BF-1325x1000TM	Tapped(M)	CF13.25"-10.0"	335.79	254.51	250.95	28.45	306.32	30	M10
CF-BF-1400x1200	Thru Holes	CF14.00"-12.0"	354.84	305.31	301.75	28.45	325.37	30	10.49
CF-BF-1400x1200T	Tapped	CF14.00"-12.0"	354.84	305.31	301.75	28.45	325.37	30	3/8-24
CF-BF-1400x1200TM	Tapped(M)	CF14.00"-12.0"	354.84	305.31	301.75	28.45	325.37	30	M10
CF-BF-1650x1400	Thru Holes	CF16.50"-14.0"	418.34	356.11	352.00	28.45	388.87	36	10.49
CF-BF-1650x1400T	Tapped	CF16.50"-14.0"	418.34	356.11	352.00	28.45	388.87	36	3/8-24
CF-BF-1650x1400TM	Tapped(M)	CF16.50"-14.0"	418.34	356.11	352.00	28.45	388.87	36	M10

*NOTE: 316LN MATERIAL AVAILABLE ON REQUEST.

CF

CF Flanges & Fittings



CF 通径法兰-旋转式 CF BORED FLANGES, ROTATABLE

材质：304/L Material: 304/L

提供攻牙孔与钻孔规格 Offer tapping holes and drilling holes specifications

CF

Catalogue PN	Type	Flange-Tube	A (mm)	B (mm)	C (mm)	D (mm)	PCD (mm)	Bolt Holes	Diameter / Thread (mm)
CF-BF-133x050R	Thru Holes	CF1.33"-0.50"	33.70	12.83	12.83	7.60	26.97	6	4.37
CF-BF-133x050RT	Tapped	CF1.33"-0.50"	33.70	12.83	12.83	7.60	26.97	6	8-32
CF-BF-133x050RTM	Tapped(M)	CF1.33"-0.50"	33.70	12.83	12.83	7.60	26.97	6	M4
CF-BF-133x075R	Thru Holes	CF1.33"-0.75"	33.70	16.00	19.30	7.60	26.97	6	4.37
CF-BF-133x075RT	Tapped	CF1.33"-0.75"	33.70	16.00	19.30	7.60	26.97	6	8-32
CF-BF-133x075RTM	Tapped(M)	CF1.33"-0.75"	33.70	16.00	19.30	7.60	26.97	6	M4
CF-BF-212x100R	Thru Holes	CF2.12"-1.00"	53.80	23.90	25.91	11.90	41.28	4	6.73
CF-BF-212x100RT	Tapped	CF2.12"-1.00"	53.80	23.90	25.91	11.90	41.28	4	1/4-28
CF-BF-212x100RTM	Tapped(M)	CF2.12"-1.00"	53.80	23.90	25.91	11.90	41.28	4	M6
CF-BF-275x075R	Thru Holes	CF2.75"-0.75"	69.30	16.00	19.30	12.70	58.72	6	6.73
CF-BF-275x075RT	Tapped	CF2.75"-0.75"	69.30	16.00	19.30	12.70	58.72	6	1/4-28
CF-BF-275x075RTM	Tapped(M)	CF2.75"-0.75"	69.30	16.00	19.30	12.70	58.72	6	M6
CF-BF-275x150R	Thru Holes	CF2.75"-1.50"	69.30	36.60	38.61	12.70	58.72	6	6.73
CF-BF-275x150RT	Tapped	CF2.75"-1.50"	69.30	36.60	38.61	12.70	58.72	6	1/4-28
CF-BF-275x150RTM	Tapped(M)	CF2.75"-1.50"	69.30	36.60	38.61	12.70	58.72	6	M6
CF-BF-338x200R	Thru Holes	CF3.38"-2.00"	85.30	49.30	51.31	17.40	72.39	8	8.43
CF-BF-338x200RT	Tapped	CF3.38"-2.00"	85.30	49.30	51.31	17.40	72.39	8	5/16-24
CF-BF-338x200RTM	Tapped(M)	CF3.38"-2.00"	85.30	49.30	51.31	17.40	72.39	8	M8
CF-BF-450x250R	Thru Holes	CF4.50"-2.50"	113.50	62.00	64.01	19.10	92.15	8	8.43
CF-BF-450x250RT	Tapped	CF4.50"-2.50"	113.50	62.00	64.01	19.10	92.15	8	5/16-24
CF-BF-450x250RTM	Tapped(M)	CF4.50"-2.50"	113.50	62.00	64.01	19.10	92.15	8	M8
CF-BF-462x300R	Thru Holes	CF4.62"-3.00"	117.00	74.70	76.71	20.60	102.36	10	8.43
CF-BF-462x300RT	Tapped	CF4.62"-3.00"	117.00	74.70	76.71	20.60	102.36	10	5/16-24
CF-BF-462x300RTM	Tapped(M)	CF4.62"-3.00"	117.00	74.70	76.71	20.60	102.36	10	M8
CF-BF-600x400R	Thru Holes	CF6.00"-4.00"	151.60	99.60	102.11	21.30	130.25	16	8.43
CF-BF-600x400RT	Tapped	CF6.00"-4.00"	151.60	99.60	102.11	21.30	130.25	16	5/16-24
CF-BF-600x400RTM	Tapped(M)	CF6.00"-4.00"	151.60	99.60	102.11	21.30	130.25	16	M8
CF-BF-675x500R	Thru Holes	CF6.75"-5.00"	170.69	125.00	127.51	21.30	151.61	18	8.43
CF-BF-675x500RT	Tapped	CF6.75"-5.00"	170.69	125.00	127.51	21.30	151.61	18	5/16-24
CF-BF-675x500RTM	Tapped(M)	CF6.75"-5.00"	170.69	125.00	127.51	21.30	151.61	18	M8
CF-BF-800x600R	Thru Holes	CF8.00"-6.00"	202.44	150.40	152.91	23.90	181.05	20	8.43
CF-BF-800x600RT	Tapped	CF8.00"-6.00"	202.44	150.40	152.91	23.90	181.05	20	5/16-24
CF-BF-800x600RTM	Tapped(M)	CF8.00"-6.00"	202.44	150.40	152.91	23.90	181.05	20	M8
CF-BF-1000x800R	Thru Holes	CF10.0"-8.00"	253.24	200.40	203.71	24.60	231.85	24	8.43
CF-BF-1000x800RT	Tapped	CF10.0"-8.00"	253.24	200.40	203.71	24.60	231.85	24	5/16-24
CF-BF-1000x800RTM	Tapped(M)	CF10.0"-8.00"	253.24	200.40	203.71	24.60	231.85	24	M8
CF-BF-1200x1000R	Thru Holes	CF12.0"-10.0"	304.04	250.95	254.51	25.90	283.97	32	8.43
CF-BF-1200x1000RT	Tapped	CF12.0"-10.0"	304.04	250.95	254.51	25.90	283.97	32	5/16-24
CF-BF-1200x1000RTM	Tapped(M)	CF12.0"-10.0"	304.04	250.95	254.51	25.90	283.97	32	M8
CF-BF-1325x1000R	Thru Holes	CF13.25"-10.0"	335.79	250.95	254.51	28.45	306.32	30	10.49
CF-BF-1325x1000RT	Tapped	CF13.25"-10.0"	335.79	250.95	254.51	28.45	306.32	30	3/8-24
CF-BF-1325x1000RTM	Tapped(M)	CF13.25"-10.0"	335.79	250.95	254.51	28.45	306.32	30	M10
CF-BF-1400x1200R	Thru Holes	CF14.00"-12.0"	354.84	301.75	305.31	28.45	325.37	30	10.49
CF-BF-1400x1200RT	Tapped	CF14.00"-12.0"	354.84	301.75	305.31	28.45	325.37	30	3/8-24
CF-BF-1400x1200RTM	Tapped(M)	CF14.00"-12.0"	354.84	301.75	305.31	28.45	325.37	30	M10
CF-BF-1650x1400R	Thru Holes	CF16.50"-14.0"	418.34	352.55	356.11	28.45	388.87	36	10.49
CF-BF-1650x1400RT	Tapped	CF16.50"-14.0"	418.34	352.55	356.11	28.45	388.87	36	3/8-24
CF-BF-1650x1400RTM	Tapped(M)	CF16.50"-14.0"	418.34	352.55	356.11	28.45	388.87	36	M10

*NOTE: 316LN MATERIAL AVAILABLE ON REQUEST.

CF Flanges & Fittings

CF 半短管

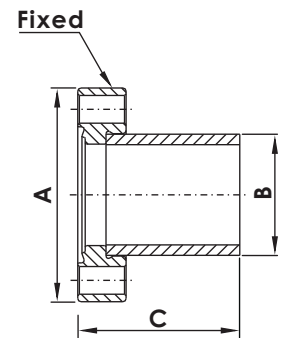
CF FLANGE HALF NIPPLES

材质：304/L Material: 304/L

管表面处理：喷砂 Tube surface: sandblasting



Catalogue PN	Flange Size	A	B	C
CF-HN-133	CF1.33"	1.33"	19.05	38.10
CF-HN-212	CF2.12"	2.12"	25.40	52.07
CF-HN-275	CF2.75"	2.75"	38.10	62.48
CF-HN-338	CF3.38"	3.38"	50.80	81.79
CF-HN-450	CF4.50"	4.50"	63.50	85.85
CF-HN-462	CF4.62"	4.62"	76.20	89.66
CF-HN-600	CF6.00"	6.00"	101.60	109.73
CF-HN-675	CF6.75"	6.75"	127.00	109.70
CF-HN-800	CF8.00"	8.00"	152.40	139.70
CF-HN-1000	CF10.00"	10.00"	203.20	203.20



CF 短管

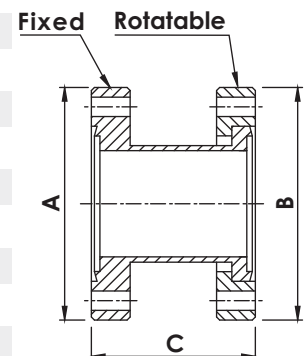
CF FLANGE FULL NIPPLES

材质：304/L Material: 304/L

管表面处理：喷砂 Tube surface: sandblasting



Catalogue PN	Flange Size	A	B	C
CF-FN-133	CF1.33"	1.33"	1.33"	76.20
CF-FN-212	CF2.12"	2.12"	2.12"	104.14
CF-FN-275	CF2.75"	2.75"	2.75"	124.97
CF-FN-338	CF3.38"	3.38"	3.38"	163.58
CF-FN-450	CF4.50"	4.50"	4.50"	171.70
CF-FN-462	CF4.62"	4.62"	4.62"	179.32
CF-FN-600	CF6.00"	6.00"	6.00"	219.46
CF-FN-675	CF6.75"	6.75"	6.75"	214.90
CF-FN-800	CF8.00"	8.00"	8.00"	200.00
CF-FN-1000	CF10.00"	10.00"	10.00"	406.40



NOTE: 316LNSS (316L TUBE+316LN FLANGE) MATERIAL AVAILABLE ON REQUEST.
NOTE: POLISHED AND ELECTRO- POLISHED TUBE FINISHES AVAILABLE ON REQUEST.

CF

CF Flanges & Fittings

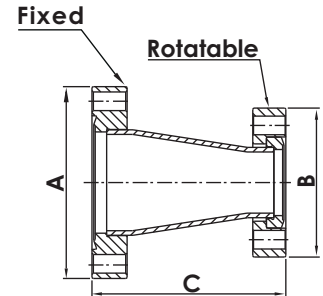
CF 同心缩管大小头 CF FLANGE CONICAL REDUCERS

材质：304/L Material: 304/L

管表面处理：喷砂 Tube surface: sandblasting



Catalogue PN	Flange Size	A	B	C
CF-CR-212x133	CF2.12"/1.33"	2.12"	1.33"	51.90
CF-CR-275x133	CF2.75"/1.33"	2.75"	1.33"	78.30
CF-CR-275x212	CF2.75"/2.12"	2.75"	2.12"	69.90
CF-CR-338x212	CF3.38"/2.12"	3.38"	2.12"	70.30
CF-CR-338x275	CF3.38"/2.75"	3.38"	2.75"	71.30
CF-CR-450x275	CF4.50"/2.75"	4.50"	2.75"	75.20
CF-CR-450x338	CF4.50"/3.38"	4.50"	3.38"	75.60
CF-CR-462x275	CF4.62"/2.75"	4.62"	2.75"	104.50
CF-CR-462x338	CF4.62"/3.38"	4.62"	3.38"	104.90
CF-CR-462x450	CF4.62"/4.50"	4.62"	4.50"	108.70
CF-CR-600x338	CF6.00"/3.38"	6.00"	3.38"	108.90
CF-CR-600x450	CF6.00"/4.50"	6.00"	4.50"	112.70
CF-CR-600x462	CF6.00"/4.62"	6.00"	4.62"	110.30



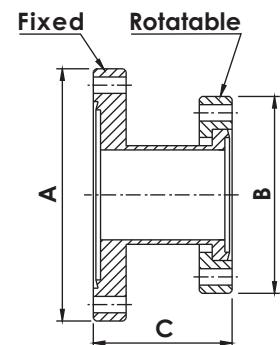
CF 直管大小头 CF FLANGE STRAIGHT REDUCERS

材质：304/L Material: 304/L

管表面处理：喷砂 Tube surface: sandblasting



Catalogue PN	Flange Size	A	B	C
CF-SR-275x133	CF2.75"/1.33"	2.75"	1.33"	45.00
CF-SR-450x133	CF4.50"/1.33"	4.50"	1.33"	70.00
CF-SR-450x275	CF4.50"/2.75"	4.50"	2.75"	75.00
CF-SR-600x275	CF6.00"/2.75"	6.00"	2.75"	127.00
CF-SR-600x450	CF6.00"/4.50"	6.00"	4.50"	95.00
CF-SR-800x275	CF8.00"/2.75"	8.00"	2.75"	127.00
CF-SR-800x450	CF8.00"/4.50"	8.00"	4.50"	127.00
CF-SR-800x600	CF8.00"/6.00"	8.00"	6.00"	127.00
CF-SR-1000x275	CF10.00"/2.75"	10.00"	2.75"	127.00
CF-SR-1000x450	CF10.00"/4.50"	10.00"	4.50"	127.00
CF-SR-1000x600	CF10.00"/6.00"	10.00"	6.00"	127.00
CF-SR-1000x800	CF10.00"/8.00"	10.00"	8.00"	127.00



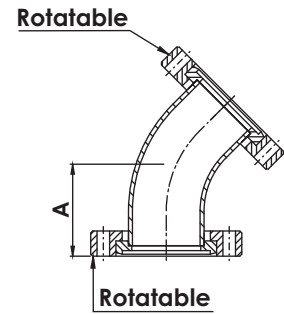
NOTE: 316LNSS (316L TUBE+316LN FLANGE) MATERIAL AVAILABLE ON REQUEST.
NOTE: POLISHED AND ELECTRO- POLISHED TUBE FINISHES AVAILABLE ON REQUEST.

CF Flanges & Fittings

CF 45° 弯头 CF 45° ELBOWS

材质：304/L Material: 304/L

管表面处理：喷砂 Tube surface: sandblasting

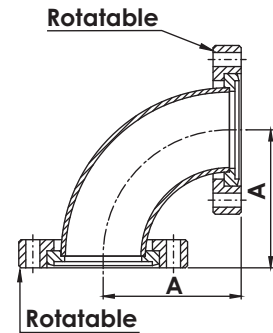


Catalogue PN	Flange Size	A
CF-45EL-133	CF1.33"	23.80
CF-45EL-212	CF2.12"	28.90
CF-45EL-275	CF2.75"	44.20
CF-45EL-338	CF3.38"	52.50
CF-45EL-450	CF4.50"	85.60
CF-45EL-462	CF4.62"	100.60
CF-45EL-600	CF6.00"	132.50

CF 90° 弯头 CF 90° ELBOWS

材质：304/L Material: 304/L

管表面处理：喷砂 Tube surface: sandblasting

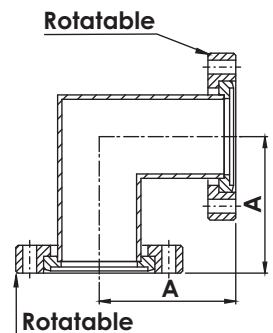


Catalogue PN	Flange Size	A
CF-90EL-133	CF1.33"	38.10
CF-90EL-212	CF2.12"	42.40
CF-90EL-275	CF2.75"	62.50
CF-90EL-338	CF3.38"	81.80
CF-90EL-450	CF4.50"	104.60
CF-90EL-462	CF4.62"	121.40
CF-90EL-600	CF6.00"	163.60

CF 90° 直角弯头 CF 90° MITERED ELBOWS

材质：304/L Material: 304/L

管表面处理：喷砂 Tube surface: sandblasting



Catalogue PN	Flange Size	A
CF-90MEL-133	CF1.33"	38.10
CF-90MEL-212	CF2.12"	52.00
CF-90MEL-275	CF2.75"	62.50
CF-90MEL-338	CF3.38"	81.80
CF-90MEL-450	CF4.50"	85.90
CF-90MEL-462	CF4.62"	89.70
CF-90MEL-600	CF6.00"	109.70

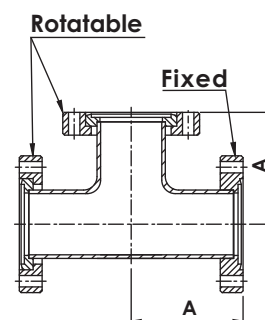
NOTE: 316LNSS (316L TUBE+316LN FLANGE) MATERIAL AVAILABLE ON REQUEST.
NOTE: POLISHED AND ELECTRO- POLISHED TUBE FINISHES AVAILABLE ON REQUEST.

CF Flanges & Fittings

CF 同径三通 CF EQUAL TEES

材质：304/L Material: 304/L

管表面处理：喷砂 Tube surface: sandblasting

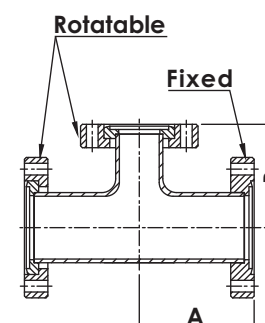


Catalogue PN	Flange Size	A
CF-ET-133	CF1.33"	38.10
CF-ET-212	CF2.12"	52.05
CF-ET-275	CF2.75"	62.50
CF-ET-338	CF3.38"	81.80
CF-ET-450	CF4.50"	85.85
CF-ET-450-L	CF4.50"-L	104.65
CF-ET-462	CF4.62"	89.70
CF-ET-600	CF6.00"	109.70
CF-ET-600-L	CF6.00"-L	134.88

CF 异径三通 CF REDUCING TEES

材质：304/L Material: 304/L

管表面处理：喷砂 Tube surface: sandblasting



Catalogue PN	Flange Size	A	B
CF-RT-275x133	CF2.75"/1.33"	62.50	47.50
CF-RT-275x212	CF2.75"/2.12"	62.50	58.20
CF-RT-338x133	CF3.38"/1.33"	81.80	54.10
CF-RT-338x275	CF3.38"/2.75"	81.80	68.80
CF-RT-450x275	CF4.50"/2.75"	85.90	75.20
CF-RT-450x338	CF4.50"/3.38"	85.90	88.40
CF-RT-462x338	CF4.62"/3.38"	89.70	94.70
CF-RT-462x450	CF4.62"/4.50"	89.70	92.20
CF-RT-600x275	CF6.00"/2.75"	109.70	94.20
CF-RT-600x338	CF6.00"/3.38"	109.70	107.40
CF-RT-600x450	CF6.00"/4.50"	109.70	104.90
CF-RT-600x462	CF6.00"/4.62"	109.70	102.40

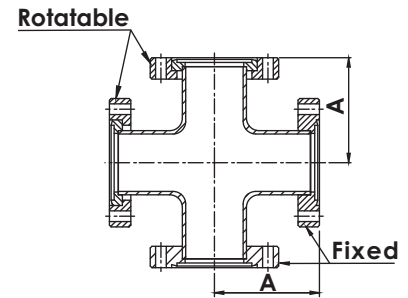
NOTE: 316LNSS (316L TUBE+316LN FLANGE) MATERIAL AVAILABLE ON REQUEST.
NOTE: POLISHED AND ELECTRO- POLISHED TUBE FINISHES AVAILABLE ON REQUEST.

CF Flanges & Fittings

CF 同径四通 CF 4-WAY CROSSES

材质：304/L Material: 304/L

管表面处理：喷砂 Tube surface: sandblasting

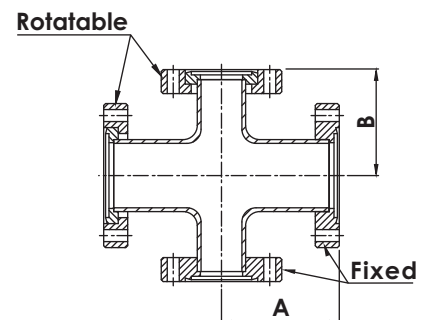


Catalogue PN	Flange Size	A
CF-4C-133	CF1.33"	38.10
CF-4C-212	CF2.12"	52.00
CF-4C-275	CF2.75"	62.50
CF-4C-338	CF3.38"	81.80
CF-4C-450	CF4.50"	85.90
CF-4C-462	CF4.62"	89.70
CF-4C-600	CF6.00"	109.70

CF 异径四通 CF 4-WAY REDUCING CROSSES

材质：304/L Material: 304/L

管表面处理：喷砂 Tube surface: sandblasting



Catalogue PN	Flange Size	A	B
CF-4RC-275x133	CF2.75"/1.33"	62.50	47.50
CF-4RC-275x212	CF2.75"/2.12"	62.50	58.20
CF-4RC-338x133	CF3.38"/1.33"	81.80	54.10
CF-4RC-338x275	CF3.38"/2.75"	81.80	68.80
CF-4RC-450x275	CF4.50"/2.75"	85.90	75.20
CF-4RC-450x338	CF4.50"/3.38"	85.90	88.40
CF-4RC-462x338	CF4.62"/3.38"	89.70	94.70
CF-4RC-462x450	CF4.62"/4.50"	89.70	92.20
CF-4RC-600x275	CF6.00"/2.75"	109.70	94.20
CF-4RC-600x338	CF6.00"/3.38"	109.70	107.40
CF-4RC-600x450	CF6.00"/4.50"	109.70	104.90
CF-4RC-600x462	CF6.00"/4.62"	109.70	104.90

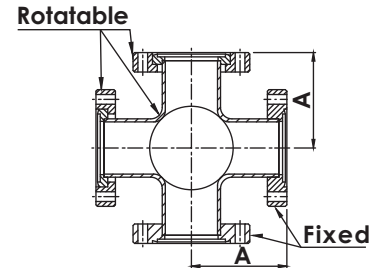
NOTE: 316LNSS (316L TUBE+316LN FLANGE) MATERIAL AVAILABLE ON REQUEST.
NOTE: POLISHED AND ELECTRO- POLISHED TUBE FINISHES AVAILABLE ON REQUEST.

CF Flanges & Fittings

CF 五通 CF 5-WAY CROSSES

材质：304/L Material: 304/L

管表面处理：喷砂 Tube surface: sandblasting



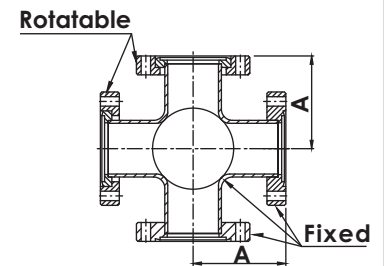
Catalogue PN	Flange Size	A
CF-5C-133	CF1.33"	38.10
CF-5C-212	CF2.12"	52.00
CF-5C-275	CF2.75"	62.50
CF-5C-338	CF3.38"	81.80
CF-5C-450	CF4.50"	85.90
CF-5C-462	CF4.62"	92.20
CF-5C-600	CF6.00"	134.90

CF

CF 管型六通 CF 6-WAY CROSSES

材质：304/L Material: 304/L

管表面处理：喷砂 Tube surface: sandblasting



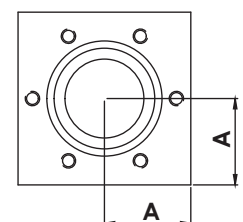
Catalogue PN	Flange Size	A
CF-6C-133	CF1.33"	38.10
CF-6C-212	CF2.12"	52.07
CF-6C-275	CF2.75"	62.48
CF-6C-338	CF3.38"	81.79
CF-6C-450	CF4.50"	85.85
CF-6C-462	CF4.62"	92.20
CF-6C-600	CF6.00"	134.90

NOTE: 316LNSS (316L TUBE+316LN FLANGE) MATERIAL AVAILABLE ON REQUEST.
NOTE: POLISHED AND ELECTRO- POLISHED TUBE FINISHES AVAILABLE ON REQUEST.

CF 一体成型六通 CF 6-WAY CUBES

材质：304/L Material: 304/L

管表面处理：喷砂 Tube surface: sandblasting



Catalogue PN	Flange Size	A	Type
CF-6CU-133T	CF1.33"	17.00	INCH TAPPED
CF-6CU-133TM	CF1.33"	17.00	METRIC TAPPED
CF-6CU-275T	CF2.75"	35.05	INCH TAPPED
CF-6CU-275TM	CF2.75"	35.05	METRIC TAPPED
CF-6CU-338T	CF3.38"	42.50	INCH TAPPED
CF-6CU-338TM	CF3.38"	42.50	METRIC TAPPED
CF-6CU-450T	CF4.50"	56.75	INCH TAPPED
CF-6CU-450TM	CF4.50"	56.75	METRIC TAPPED
CF-6CU-600T	CF6.00"	75.80	INCH TAPPED
CF-6CU-600TM	CF6.00"	75.80	METRIC TAPPED

NOTE: 316LNSS MATERIAL AVAILABLE ON REQUEST.

富东机械制造(香港)有限公司

Fudong Machinery Manufacture (HK) Co, Ltd

地址: 广东省深圳市龙岗区吉华街道甘坑社区甘坑同富裕工业区 2 号 3 栋 601A1-6F

网址: <https://www.fudongmachinery.com> Email: jack@fudongmachinery.com

电话: 0755-2220 6257 传真: 0755-2220 4982

ShenZhen Office: 601A1-6F, Building A3, No.2, Tongfuyu Industrial Park, Gankeng, Jihua Subdistrict,

Longgang District, Shenzhen City, Guangdong Province, China

Website: <https://www.fudongmachinery.com> Email: jack@fudongmachinery.com

Tel: +86-755-2220 6257 Fax: +86-755-2220 4982

